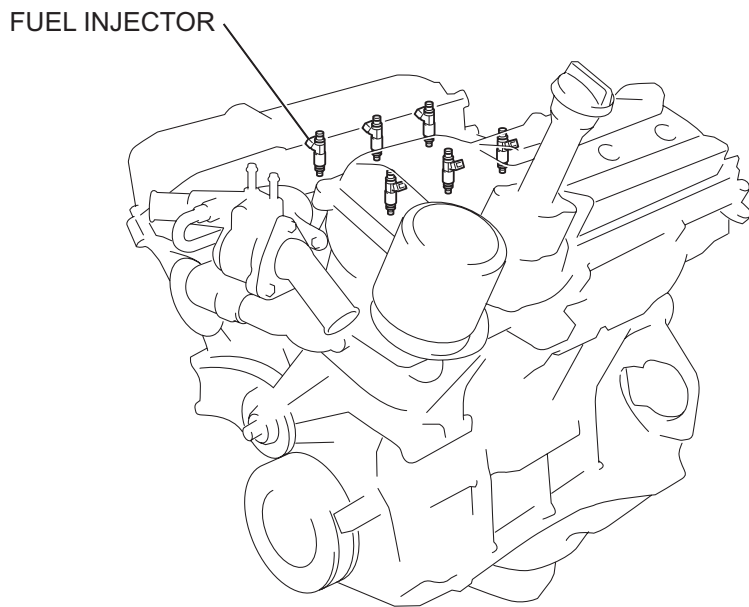
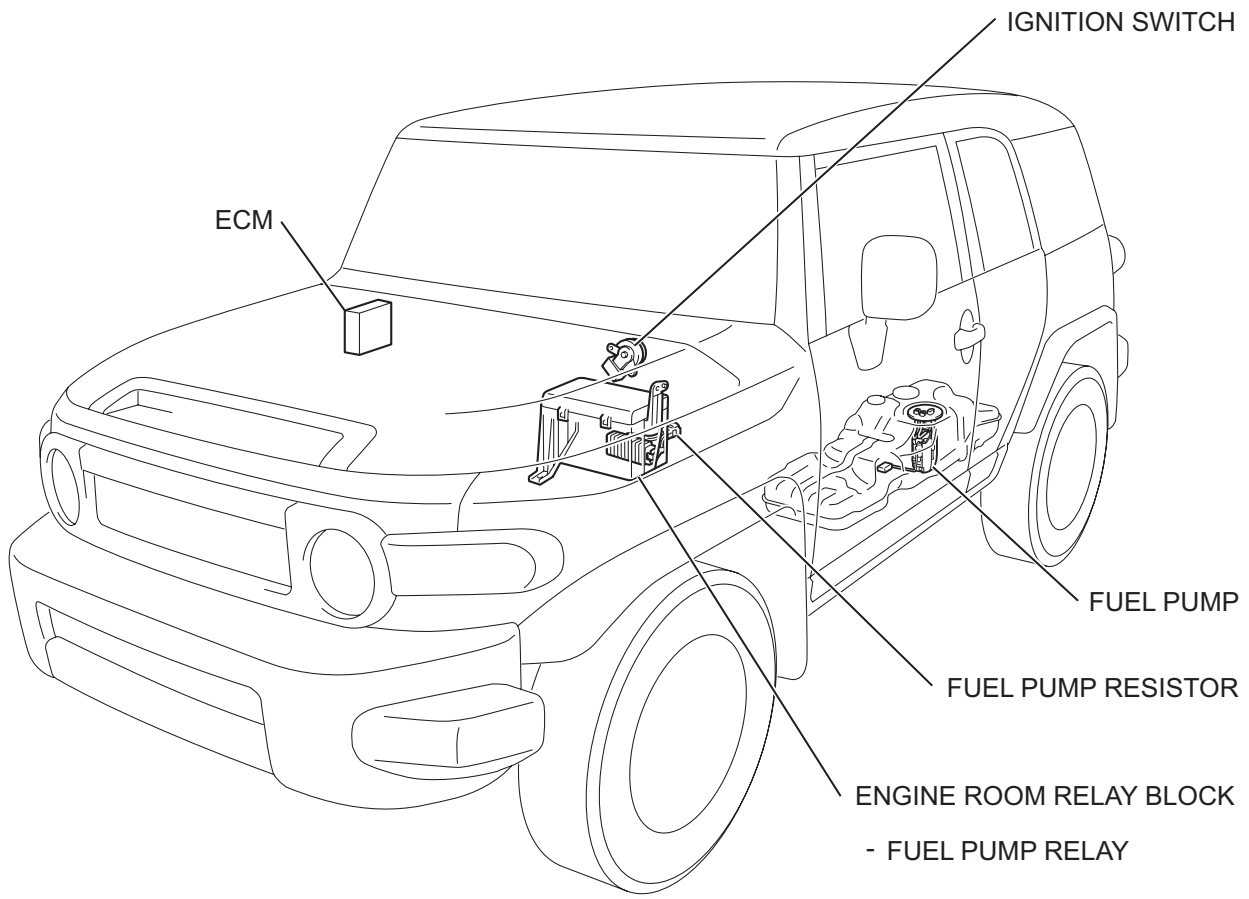
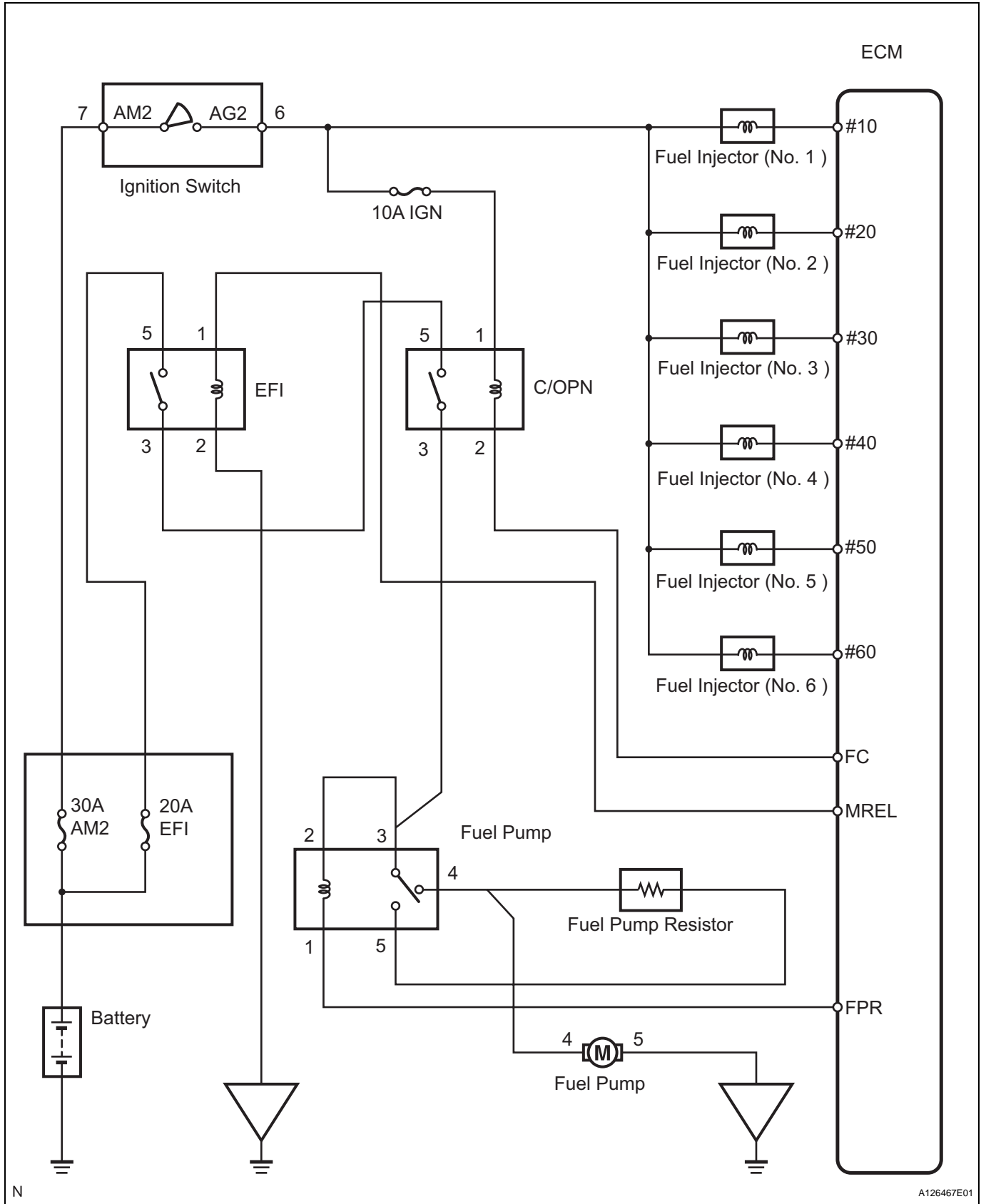


PARTS LOCATION



FU

SYSTEM DIAGRAM



FU